

Automobile Lighting System

Products

- LED Headlights/Licence Plate Lights
- LED Stop/Turn/Brake/Back up/Tail Lights
- LED Side Marker/Fog/Clerance Lights
- LED working Lights/Offroad Light Bars
- LED wireless light Assemblies
- OEM/ODM Vehicle Lights Assemblies
- Other Lights Accesories & Fittings

www.cnhareru.com



Headlights



OEM/ODM



Vehicle Lights
Assemblies



Other Lights

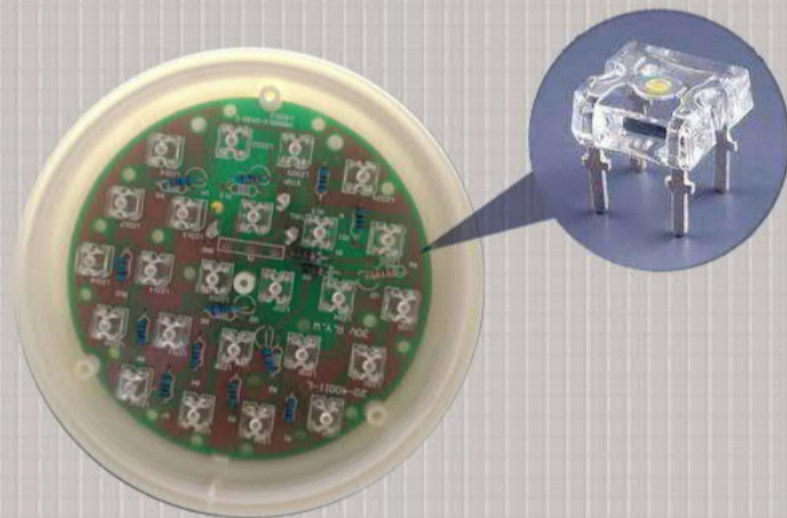
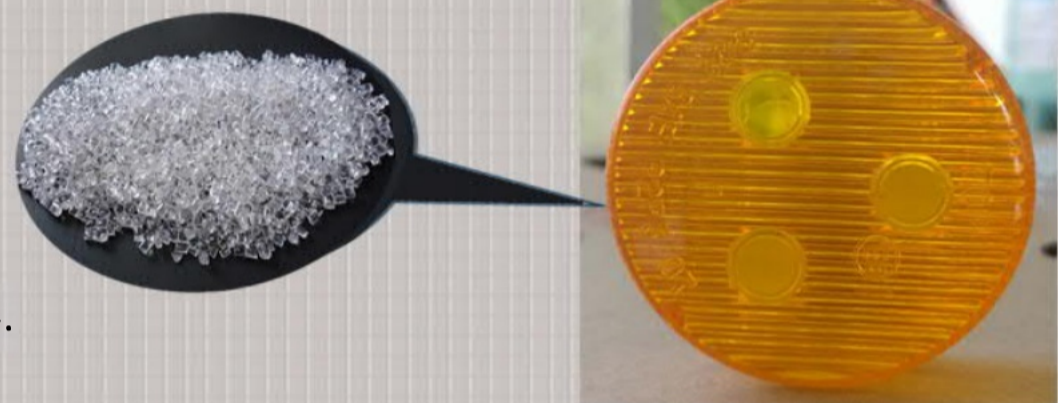


Photometric Characteristics

The photometric characteristics of all the truck lights are strictly tested and they meet all the standards of DOT/SAE and E-mark.

PC (Poly Carbonate) lens and housing

The lens and housing of the light are made of Poly carbonate (PC) plastics, providing a much more impact resistant construction than that of typical lamps made of acrylic plastic.

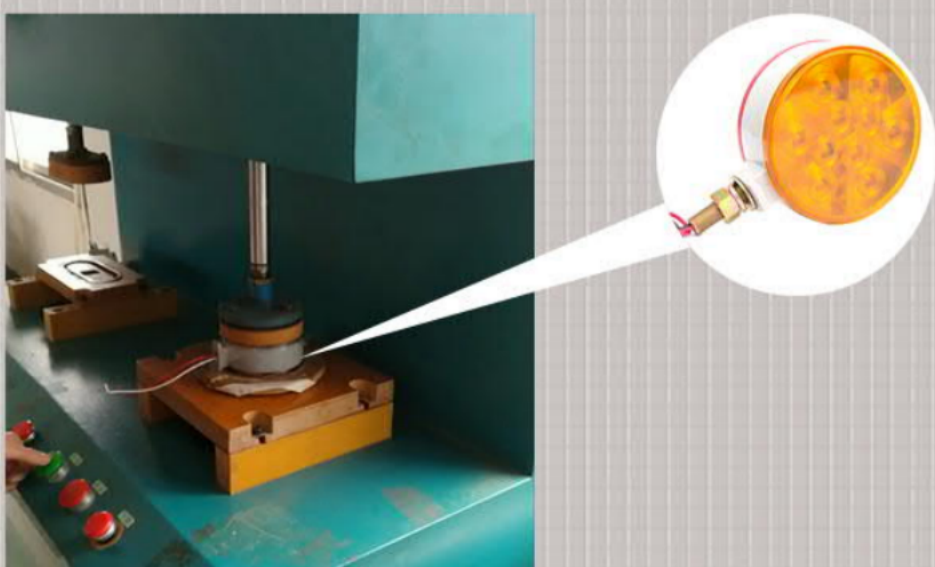


High quality piranha LED chips

High quality piranha LED chips are used in the light. It is much better than normal SMD and strawhat LED chips in heat transferring and brightness and longer in lifespan.

Electronics completely sealed

Electronics completely sealed in epoxy to resist corrosion & moisture.



Ultrasonic welding

The lens and housing are bonded together through ultrasonic welding. The seal is much more better than those created with glues by making the lights much more impervious to moisture and corrosives and providing additional protect to the diodes and circuitry.

LED STOP/TURN/TAIL & BACKUP LIGHTS

R40 Series

4" Round Sealed Stop/Turn/Tail/Back-up Lights

*SIZE:4 inch Round

*Material: PC Lens

NUMBER OF LEDs:10 or 24 Piranha LED

COLOR:Red,Amber,Clear,Blue,Green

*VOLTAGE:12V,24V or 10-30V

MOUNT TYPE:Grommet flush mount, Screw mount(flange)

CONNECT TYPE:3-pin plug,3-prong plug,wires

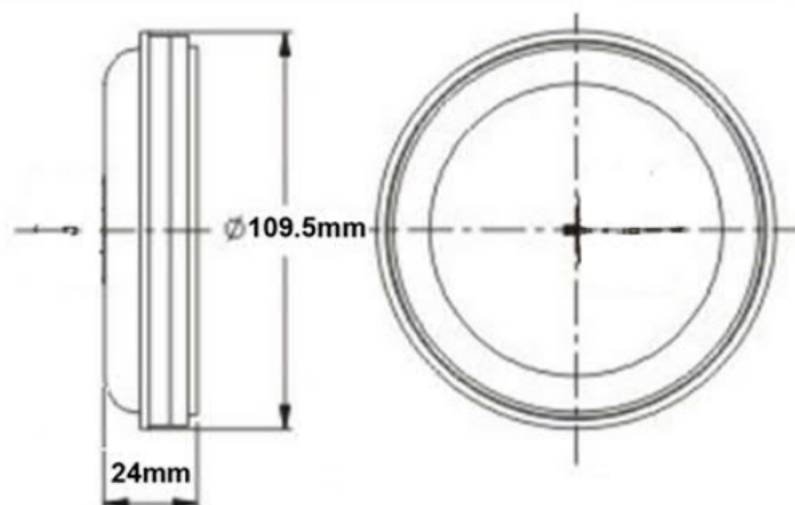
*All Lights can be made as strobe flash



SKU	Color	Voltage	Diodes
R40-R1230-10	Red	10-30V	10 Piranha LED
R40-A1230-10	Amber	10-30V	10 Piranha LED
R40-C1230-10	Clear	10-30V	10 Piranha LED
R40-R1230-24	Red	10-30V	24 Piranha LED
R40-A1230-24	Amber	10-30V	24 Piranha LED
R40-C1230-24	Clear	10-30V	24 Piranha LED

ACCESSORIES

IDA-3P(sku)	3-Pin Plug
IDA-3K	3-Prong Plug
IDA-40P	4" round PVC grommet
IDA-40F1	4" round ABS Flange
IDA-40F2	4" round Base
IDA-401	1-Hole Base
IDA-402	2-Hole Base
IDA-403	3-Hole Base



Standard 3-Pin Connection
(Weather tight connection)



Standard 3-Prong Connection



Industry-Standard Connections

Easy retrofit of incandescent or other LED lights

LED STOP/TURN/TAIL & BACKUP LIGHTS

O62 Series

6" Oval Sealed Stop/Turn/Tail/Back-up Lights



*SIZE:6 inch Oval

*Material: PC Lens

NUMBER OF LEDs:10,26 or 44 Piranha LED

COLOR:Red,Amber,Clear

*VOLTAGE:12V,24V or 10-30V

MOUNT TYPE:Grommet flush mount, Screw mount(flange)

*CONNECT TYPE:3-pin plug,3-prong plug,wires

*All Lights can be made as strobe flash light

SKU	Color	Voltage	Diodes
O62-R1230-10	Red	10-30V	10 Piranha LED
O62-A1230-10	Amber	10-30V	10 Piranha LED
O62-C1230-10	Clear	10-30V	10 Piranha LED
O62-R1230-26	Red	10-30V	26 Piranha LED
O62-A1230-26	Amber	10-30V	26 Piranha LED
O62-C1230-26	Clear	10-30V	26 Piranha LED

ACCESSORIES

IDA-3P(sku)

3-Pin Plug

IDA-3K

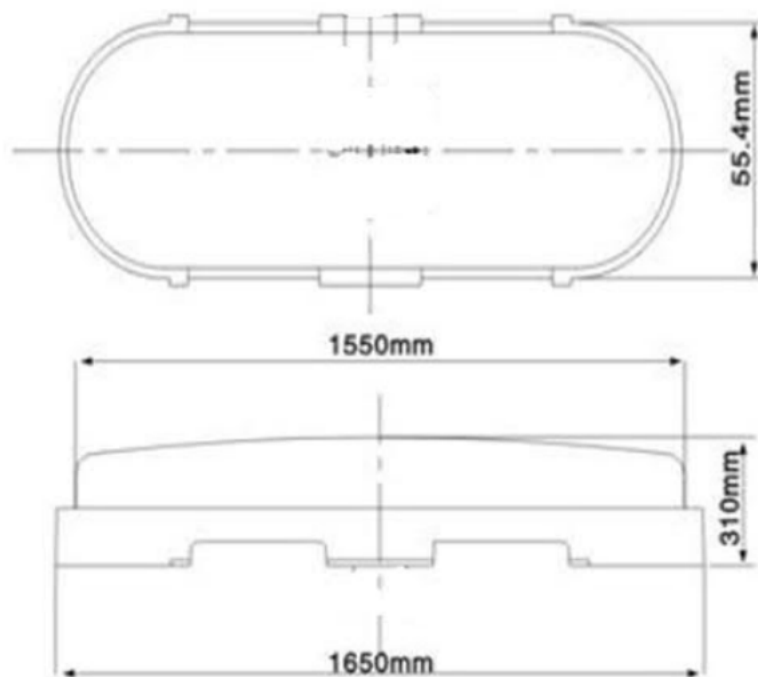
3-Prong Plug

IDA-62P

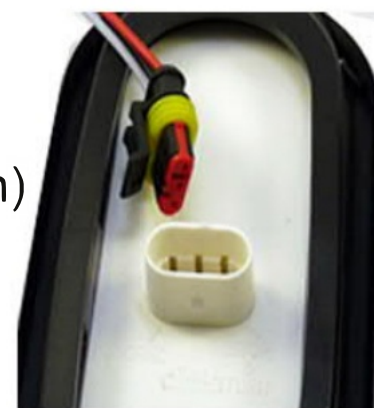
6" Oval PVC grommet

IDA-62F

6" Oval Flange



Standard 3-Pin Connection
(Weather tight connection)



Industry-Standard Connections

Easy retrofit of incandescent or other LED lights



Standard 3-Prong Connection

LED STOP/TURN/TAIL & BACKUP LIGHTS



R70 Series

7" Round Sealed School Bus Stop/Turn/Tail/Back-up Lights

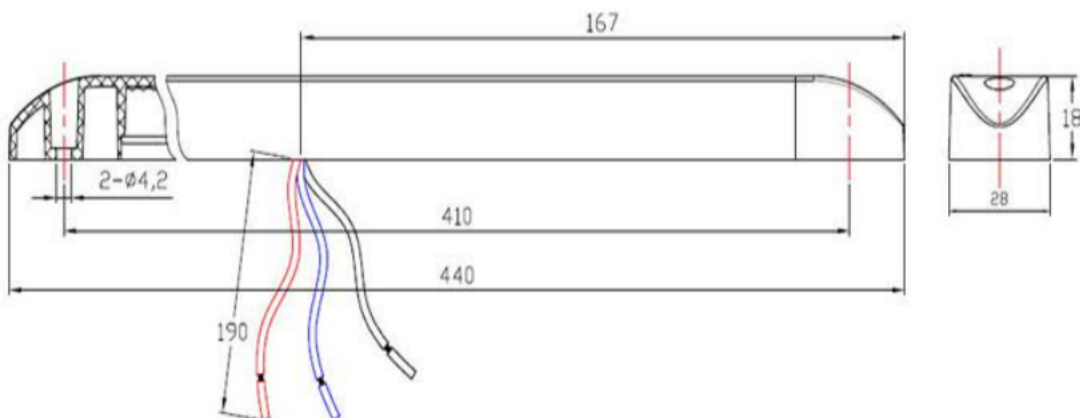
- *SIZE: 7 inch Round (or with arrow)
- *Material: PC Lens
- *NUMBER OF LEDs: 37 (with arrow), 44 Piranha LED
- *COLOR: Red, Amber, Clear
- *VOLTAGE: 12V, 24V or 10-30V
- MOUNT TYPE: Screw mount
- CONNECT TYPE: wires
- *All Lights can be made as strobe flash

SKU	Color	Voltage	Diodes
R70-R1230-44	Red	10-30V	44 Piranha LED
R70-A1230-44	Amber	10-30V	44 Piranha LED
R70-C1230-44	Clear	10-30V	44 Piranha LED
R70a-R1230-37	Red	10-30V	37 Piranha LED
R70a-A1230-37	Amber	10-30V	37 Piranha LED
R70a-C1230-37	Clear	10-30V	37 Piranha LED

B17 Series

17" Sealed Stop/Turn/Tail /Back-up Lights

- *SIZE: 17 inch
- *Material: PC Lens
- *NUMBER OF LEDs: 9
- *COLOR: Red, Clear
- *VOLTAGE: 12V, 24V or 10-30V
- MOUNT TYPE: Screw mount
- CONNECT TYPE: wires
- *All Lights can be made as strobe flash



SKU	Color	Voltage	Diodes
B17-R1230-9	Red	10-30V	9 Piranha LED
B17-C1230-9	Clear	10-30V	9 Piranha LED

LED STOP/TURN/TAIL & BACKUP LIGHTS

R40a Series

4" Round Sealed Arrow Turn Signal Lights



- *SIZE:4 inch Round (with arrow)
- *Material: PC Lens
- *NUMBER OF LEDs:28
- *COLOR:Red,Amber
- *VOLTAGE:12V,24V or 10-30V
- *MOUNT TYPE:PVC Grommet,Screw mount(ABS Flange)
- *CONNECT TYPE:3-Pin Plug,3-Prong Plug,wires
- *All Lights can be made as strobe flash

SKU	Color	Voltage	Diodes
R40a-R1230-28	Red	10-30V	28 Piranha LED
R40a-A1230-28	Amber	10-30V	28 Piranha LED

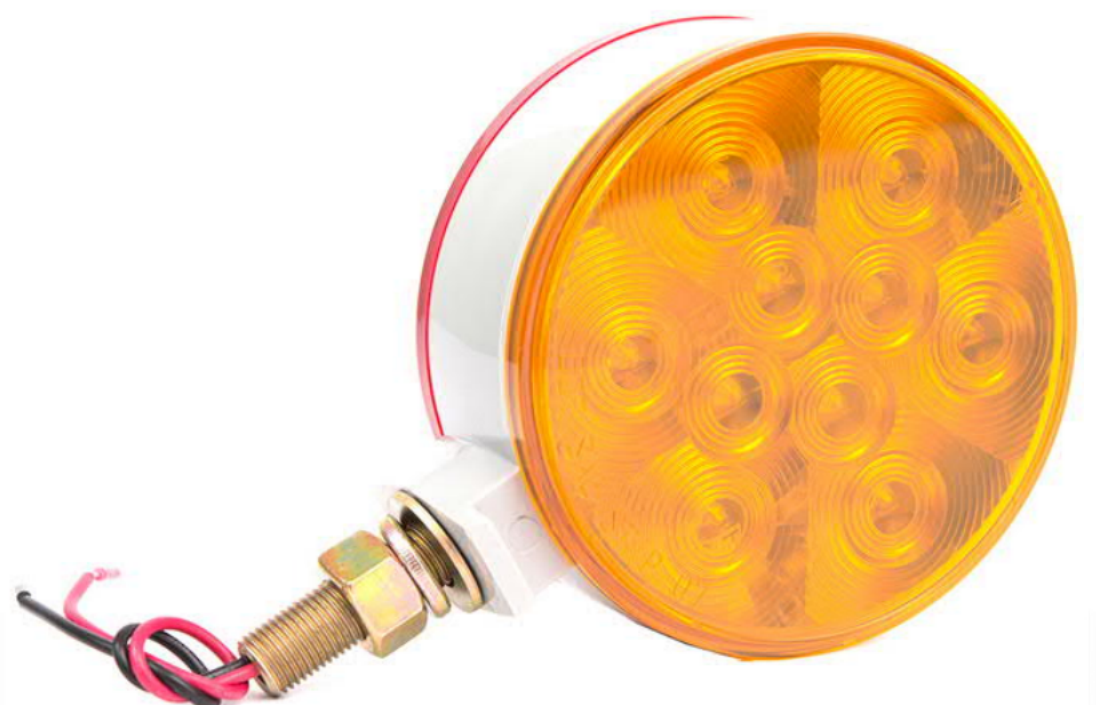
ACCESSORIES

IDA-3P(sku)	3-Pin Plug
IDA-3K	3-Prong Plug
IDA-40P	4" round PVC grommet
IDA-40F1	4" round ABS Flange
IDA-40F2	4" round Base

R40s Series

4" Round Sealed Double Face Turn Signal Strobe Lights

- *SIZE:4 inch round (double face)
- *Material: PC Lens
- *NUMBER OF LEDs:10+10
- *COLOR:Red+Amber,Amber+Amber
- *VOLTAGE:12V,24V or 10-30V
- *MOUNT TYPE:Screw mount
- *CONNECT TYPE:wires
- *All Lights can be made as strobe flash



SKU	Color	Voltage	Diodes
R40s-RA1230-10	Red+Amber	10-30V	10+10 Piranha LED
R40s-AA1230-10	Amber+Amber	10-30V	10+10 Piranha LED

LED SIDE MARKER & CLEARANCE LIGHTS



R07 Series

0.75" Round Sealed Side Marker & Clearance Lights

- *SIZE:0.75 inch Round
- *Material: PC Lens (Clear lens or color lens)
- *NUMBER OF LEDs: 1,3
- *COLOR:Red,Amber,Clear,Blue,Green
- *VOLTAGE:12V,24V or 10-30V
- *MOUNT TYPE:PVC Grommet
- *CONNECT TYPE:wires (can be with terminals)

SKU	Color	Voltage	Diodes
R07-R1230-1	Red	10-30V	1 Piranha LED
R07-A1230-1	Amber	10-30V	1 Piranha LED
R07-C1230-1	Clear	10-30V	1 Piranha LED
R07-R1230-3	Red	10-30V	3 Piranha LED
R07-A1230-3	Amber	10-30V	3 Piranha LED
R07-C1230-3	Clear	10-30V	3 Piranha LED

O25 Series

2.5" Oval Sealed Side Marker & Clearance Lights

- *SIZE:2.5"X1" Oval
- *Material: PC Lens
- *NUMBER OF LEDs:2
- *COLOR:Red,Amber,Clear,Blue,Green
- *VOLTAGE:12V,24V or 10-30V
- MOUNT TYPE:Screw mount
- *CONNECT TYPE:wires

SKU	Color	Voltage	Diodes
O25-R1230-2	Red	10-30V	2 Piranha LED
O25-A1230-2	Amber	10-30V	2 Piranha LED
O25-C1230-2	Clear	10-30V	2 Piranha LED



Accessories

IDA-26

2.5"X1" Oval Base

LED SIDE MARKER & CLEARANCE LIGHTS



R20 Series

2" Round Sealed Sider Marker & Clearance Lights

*SIZE:2 inch Round

*Materia: PC Lens

*NUMBER OF LEDs:3,4,6 Piranha LED

*COLOR:Red,Amber,Clear,Blue,Green

*VOLTAGE:12V,24V or 10-30V

*MOUNT TYPE:Grommet flush mount, Screw mount(flange)

*CONNECT TYPE:2-pin plug,2-prong plug,wires

SKU	Color	Voltage	Diodes
R20-R1230-3	Red	10-30V	3 Piranha LED
R20-A1230-3	Amber	10-30V	3 Piranha LED
R20-C1230-3	Clear	10-30V	3 Piranha LED

ACCESSORIES

IDA-2Z(sku)

2-Pin Plug

IDA-2K

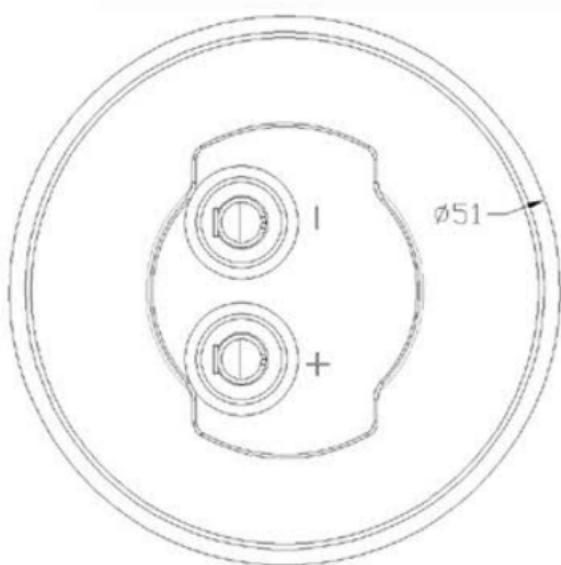
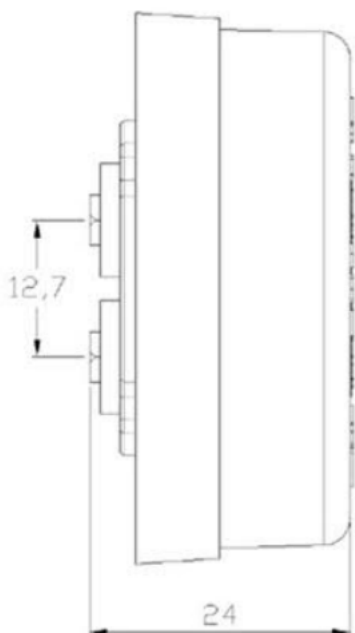
2-Prong Plug

IDA-20P

2" round PVC grommet

IDA-20F

2" round ABS Flange



Standard 2-Pin Connection

Standard 2-Prong Connection



Industry-Standard Connections

Easy retrofit of incandescent or other LED lights

LED SIDE MARKER & CLEARANCE LIGHTS



R25 Series

2.5" Round Sealed Sider Marker & Clearance Lights

*SIZE:2.5 inch Round

*Materia: PC Lens

*NUMBER OF LEDs:3,6 Piranha LED

*COLOR:Red,Amber,Clear,Blue,Green

*VOLTAGE:12V,24V or 10-30V

*MOUNT TYPE:Grommet flush mount

*CONNECT TYPE:2-pin plug,2-prong plug,wires

SKU	Color	Voltage	Diodes
R25-R1230-3	Red	10-30V	3 Piranha LED
R25-A1230-3	Amber	10-30V	3 Piranha LED
R25-C1230-3	Clear	10-30V	3 Piranha LED
R25-R1230-6	Red	10-30V	6 Piranha LED
R25-A1230-6	Amber	10-30V	6 Piranha LED
R25-C1230-6	Clear	10-30V	6 Piranha LED

ACCESSORIES

IDA-2Z(sku)

2-Pin Plug

IDA-2K

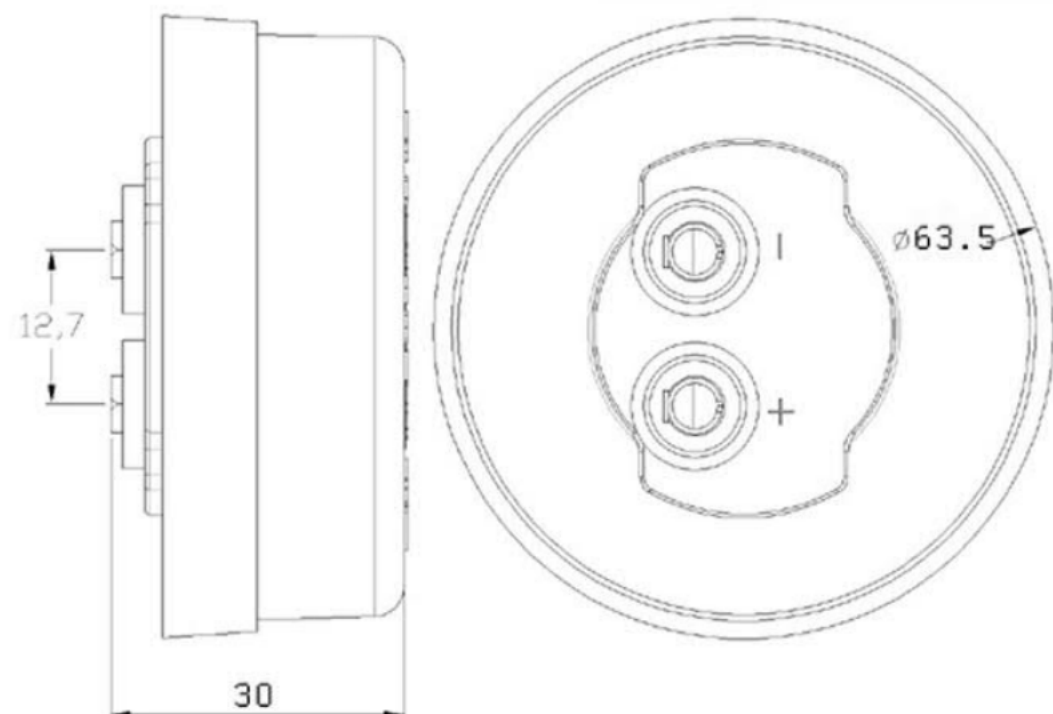
2-Prong Plug

IDA-25P

2.5" round PVC grommet

IDA-25P1

2.5" round PVC grommet



Standard 2-Pin Connection

Standard 2-Prong Connection



Industry-Standard Connections

Easy retrofit of incandescent or other LED lights

LED SIDE MARKER & CLEARANCE LIGHTS

H20 Series

2.0" Beehive Sealed Sider Marker & Clearance Lights



*SIZE:2.0 inch Beehive

*Material: PC Lens

*NUMBER OF LEDs:3,4,6 Piranha LED

*COLOR:Amber (Or on request)

*VOLTAGE:12V,24V or 10-30V

*MOUNT TYPE:Grommet flush mount,Screw Mount(ABS Flange)

*CONNECT TYPE:2-pin plug,2-prong plug,wires

*All lights can be made as strobe flash

SKU	Color	Voltage	Diodes
R25-A1230-3	Amber	10-30V	3 Piranha LED
R25-A1230-4	Amber	10-30V	4 Piranha LED
R25-A1230-6	Amber	10-30V	6 Piranha LED

ACCESSORIES

IDA-2Z(sku)

2-Pin Plug

IDA-2K

2-Prong Plug

IDA-20P

2.0" round PVC grommet

IDA-20F

2.0" round ABS Flange



Standard 2-Pin Connection

Standard 2-Prong Connection



Industry-Standard Connections

Easy retrofit of incandescent or other LED lights

LED SIDE MARKER & CLEARANCE LIGHTS

A20/A20B Series

2.0" Round Double Face Sider Marker&Clearance Stalk Lights



- *SIZE:2.0 round double face stalk
- *Material: PC Lens
- *NUMBER OF LEDs:3+3 Piranha LED
- *COLOR:Red+White,Amber+Amber (Or on request)
- *VOLTAGE:12V,24V or 10-30V
- *MOUNT TYPE:Screw Mount
- *CONNECT TYPE:wires



Sku	Color	Voltage	Angle
A20-60-1230	Red+Clear	10-30V	Small 60 degree
R20-90-1230	Red+Clear	10-30V	Small 90 degree
A20-T-1230	Red+Clear	10-30V	T Shape
A20-3ang-1230	Red+Clear	10-30V	Triangle
A20B-60-1230	Red+Clear	10-30V	Big 60 degree
A20B-90-1230	Red+Clear	10-30V	Big 90 degree



LED SIDE MARKER & CLEARANCE LIGHTS



T25 Series

2.5"X1" Rectangle Side Marker & Clearance Lights

*SIZE:2.5"X1" Rectangle

*Material: PC Lens

*NUMBER OF LEDs: 3 Piranha LEDs

*COLOR:Red,Amber,Clear (or on request)

*VOLTAGE:12V,24V or 10-30V

*MOUNT TYPE:Screw Mount

*CONNECT TYPE:wires



SKU	Color	Voltage	Diodes
T25-R1230-3	Red	10-30V	3 Piranha LED
T25-A1230-3	Amber	10-30V	3 Piranha LED
T25-C1230-3	Clear	10-30V	3 Piranha LED

Accessories

IDA-27

2.5"X1" Rectangle Base

T41 Series

4"X1" Rectangle Sealed Sider Marker & Clearance Lights

*SIZE:4"X1" Rectangle

*Material: PC Lens

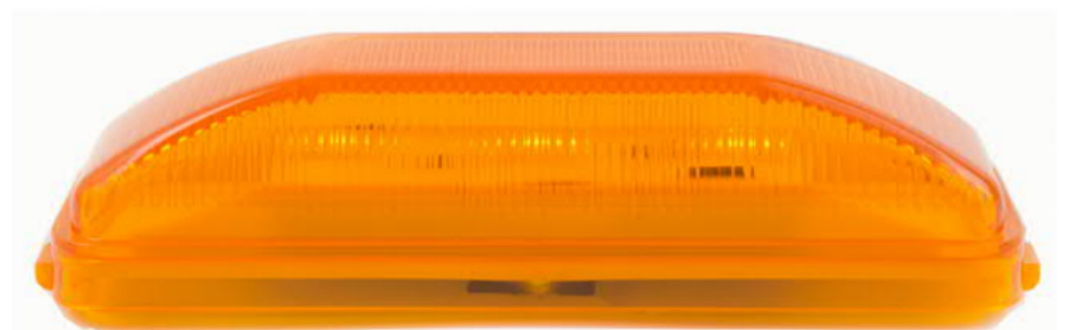
*NUMBER OF LEDs:3 Piranha LEDs

*COLOR:Red,Amber,Clear (or on request)

*VOLTAGE:12V,24V or 10-30V

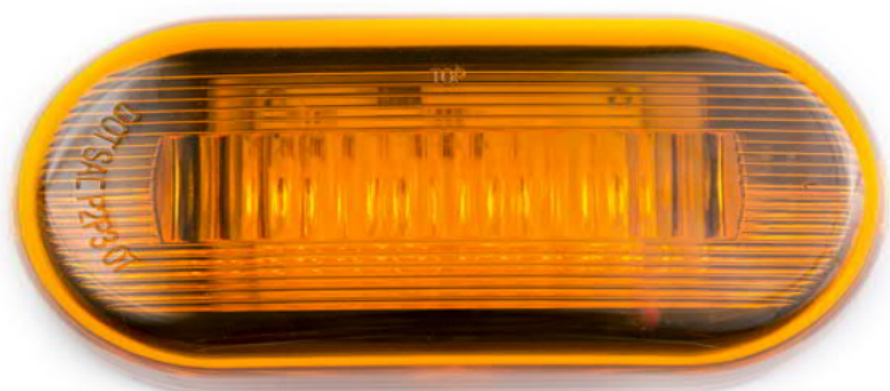
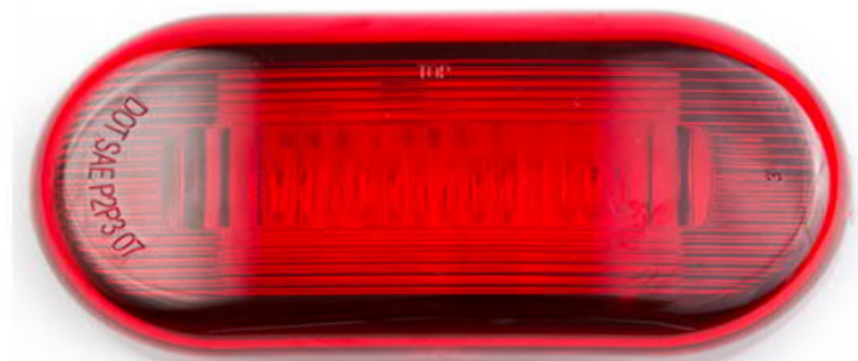
*MOUNT TYPE:Screw mount

*CONNECT TYPE:wires



SKU	Color	Voltage	Diodes
T41-R1230-3	Red	10-30V	3 Piranha LED
T41-A1230-3	Amber	10-30V	3 Piranha LED
T41-C1230-3	Clear	10-30V	3 Piranha LED

LED SIDE MARKER & CLEARANCE LIGHTS



O42 Series

4"X2" Oval Sealed Side Marker & Clearance Lights

- *SIZE:4"X2" Oval
- *Material: PC Lens
- *NUMBER OF LEDs: 4 Piranha LEDs
- *COLOR:Red,Amber,Clear (or on request)
- *VOLTAGE:12V,24V or 10-30V
- *MOUNT TYPE:Screw Mount
- *CONNECT TYPE:wires

SKU	Color	Voltage	Diodes
O42-R1230-4	Red	10-30V	4 Piranha LED
O42-A1230-4	Amber	10-30V	4 Piranha LED
O42-C1230-4	Clear	10-30V	4 Piranha LED

R30 Series

3" Round Sealed Side Marker & Clearance Lights(for Taxi)

- *SIZE:3" Round
- *Material: PC Lens
- *NUMBER OF LEDs:9 Piranha LEDs
- *COLOR:Red,Amber,Clear (or on request)
- *VOLTAGE:12V,24V or 10-30V
- *MOUNT TYPE:Screw mount
- *CONNECT TYPE:wires
- *All lights can be made as strobe flash



SKU	Color	Voltage	Diodes
R30-R1230-9	Red	10-30V	9 Piranha LED
R30-A1230-9	Amber	10-30V	9 Piranha LED
R30-C1230-9	Clear	10-30V	9 Piranha LED



LED LICENSE NUMBER PLATE LIGHT



L25 Series

2.5" Sealed License Number Plate Light

- *SIZE:2.5 inch
- *Material: PC Lens
- *NUMBER OF LEDs: 3 Piranha LEDs
- *COLOR:White
- *VOLTAGE:12V,24V or 10-30V
- *MOUNT TYPE:Screw Mount
- *CONNECT TYPE:wires



Sku	Color	Voltage	Diodes
L25-C1230-3	White	10-30V	3 Piranha LED

A25 Series

2.5" Sealed License Number Plate Light

- *SIZE;2.5" inch
- *Material: PC Lens
- *NUMBER OF LEDs:4 SMD LEDs
- *COLOR:Black
- *VOLTAGE:10-30V
- *MOUNT TYPE:Screw mount
- *CONNECT TYPE:wires



Sku	Color	Voltage	Diodes
A25-C1230-4	Black	10-30V	4 SMD LED



LED DOME INTERIOR CEILING LIGHTS

R40DM Series

4" Sealed Dome Interior Ceiling Light



*SIZE:4" round

*Material: PC Lens

*NUMBER OF LEDs: 24 Piranha LEDs

*COLOR:White/Clear

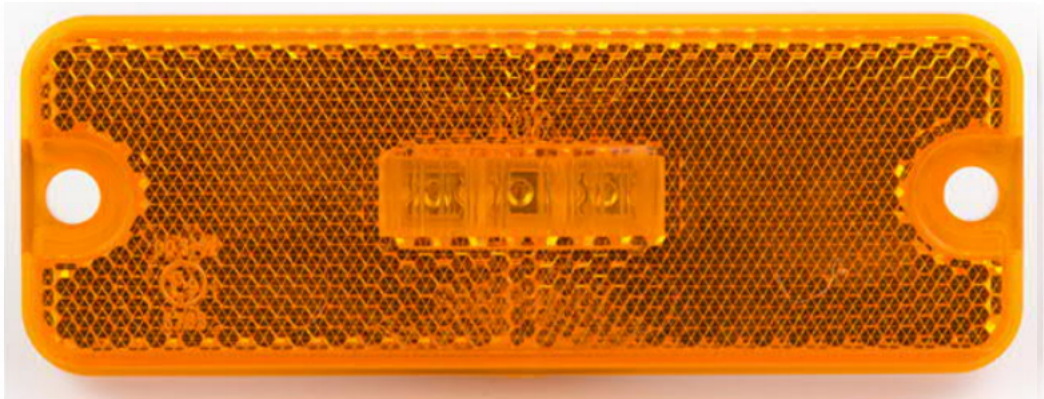
*VOLTAGE:12V,24V or 10-30V

*MOUNT TYPE:Screw Mount(ABS Flange)

*CONNECT TYPE:wires

SKU	Color	Voltage	Diodes
R40DM-C1230-24	White	10-30V	24 Piranha LED

LED REFLECTOR LIGHTS



T42 Series

4"X1.5" Rectangle Sealed Side Marker & Clearance Reflector Lights

*SIZE:4"X 1.5" Rectangle

*Material : PC Lens

*NUMBER OF LEDs: 3 Piranha LEDs

*COLOR:Red,Amber,Clear (or on request)

*VOLTAGE:12V,24V or 10-30V

*MOUNT TYPE:Screw Mount

*CONNECT TYPE:wires

SKU	Color	Voltage	Diodes
T42-R1230-3	Red	10-30V	3 Piranha LED
T42-A1230-3	Amber	10-30V	3 Piranha LED
T42-C1230-3	Clear	10-30V	3 Piranha LED

TRUCK LIGHT ACCESSORIES



IDA-20F

2" round ABS Flange



IDA-20P

2" round PVC Grommet



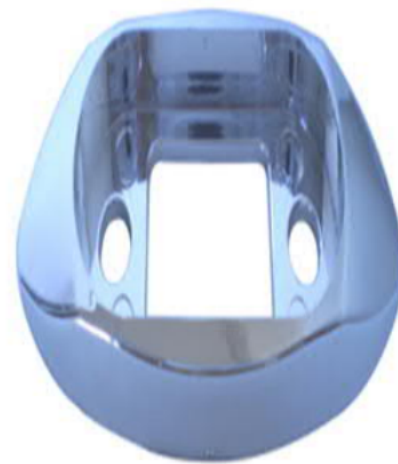
IDA-25P

2.5" round PVC Grommet



IDA-25P1

2.5" round PVC Grommet



IDA-26

2.5"x1" oval ABS Chrome base



IDA-27

2.5"x1" rectangle Chrome Base



IDA-40F

4.0" round ABS Flange



IDA-40P

4.0" round PVC Grommet



IDA-62F

6.2" oval ABS Flange



IDA-62P

6" oval PVC Grommet



IDA-401

4.0" round 1 hole base



IDA-402

4.0" round 2 hole base

TRUCK LIGHT ACCESSORIES



IDA-403

4" round 3 hole base



IDA-2K

2-prong plug



IDA-2Z

2-pin plug



IDA-403

4" round 3 hole base



IDA-2K

2-prong plug



IDA-40S

4 inch round steel cover



IDA-T41

4x1" rectangle light base



IDA-T41A

4x1" rectangle light base

HARERU CO.,LTD CUSTOMIZ SOLUTIONS



Truck Light Solutions

Truck & Trailer - School Bus - Taxi - Ship - Police
Fire - Offroad - Forklift - Automotive



HARERU CO.,LTD CUSTOMIZE LIGHT SOLUTIONS

Add:No.101,Gushu 2nd Road,Shenzhen 518101,
ChinaWeb:www.iduntrucklights.com
Tel:86-15874261341
Email:hareru@cnhareru.com